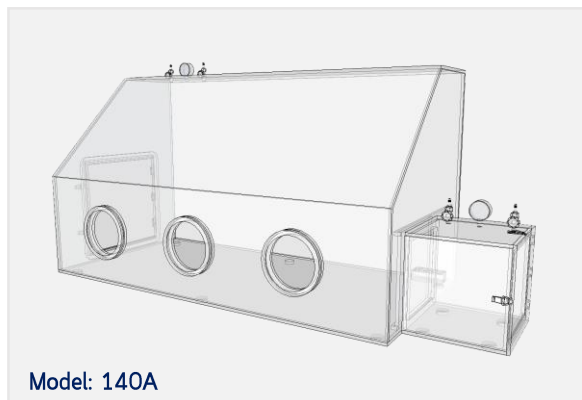
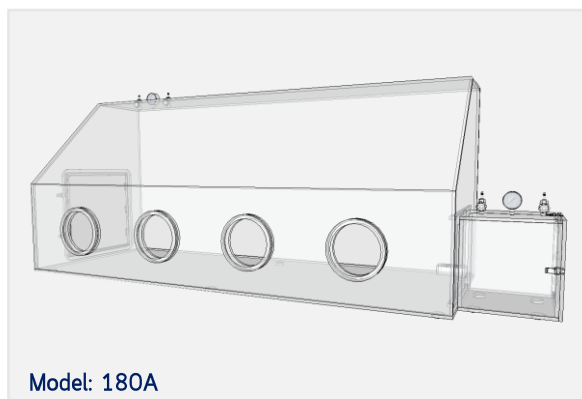


These basic compact glove boxes provide low-humidity, Oxygen free controlled environment when used with inert gas purging system. Glove boxes are ideal choice for laboratory, clean room, electronic assembly and other critical processing operations in such industries as semiconductor, Laboratory, Testing Glove box for Lab research and pharmaceutical manufacturing. Operations in such industries as semiconductor and pharmaceutical manufacturing. Glove Box system designed for easy transfer of samples and substance, isolation, close system for dry glove box.



Model: 140A



Model: 180A

Features:

- Two access doors open inward (or outwards upon request) with door frame, hinge, one-piece non-adhesive sealing.
- Side door opening 400 x 400 mm. (Upgradable to larger door)
- Slide open transfer between the main cabinet glove box and Air box. Side door opening 240 x 240 mm.
- Two 200 mm. OD glove ports for standard dry box gloves (Isolator glove) with 220 mm. size standard. Including O-Ring 1 set (4 pcs)
- Lift-up front window allows easy parts transfer from inside the Glove box.
- The AIR BOX is Accessories transfer samples into the glove box Size W300 x D300 x H300 mm. Side open window. The 240 x 240 mm. opening allows for parts to be easily placed inside the glove box with door slide.
- The auto dry is automatic controller set that can be controlled humidity inside the glove box, Allows precise humidity control with 20-90 % range RH.

Accessories:

- O-Ring for glove port 2 pcs.
- Pressure gauge 1-10 bar.
- Natural rubber glove. Diameter 220 mm. Length 800 mm.

Options:

- Digital Hygrometer and Thermometer. Data Logger for humidity and temperature
- Re-generable Silica gel desiccant cartridge
- Vacuum pump for purge control.
- Gas (N₂, O₂, or Air) gas in port Push-to Connect fitting and gas-out bleeding valve.
- Flow meter with adjusting valve.
- Glove port with O-Ring 1 Set (4 pcs)



AIR BOX

Model	140A	180A
Material Clear Acrylic :	Yes	
Thickness :	10 mm.	
Overall Dimensions., mm. (Main Chamber Glove box)	W1400 x D700 x H800	W1800 x D700 x H800
Port Diameter :	Ø 200 mm. x 3	Ø 200 mm. x 4
Door size :	-	
- Side door open (Left) 400 x 400 mm.	Yes	
- Side door open (Right) 240 x 240 mm. (** for Air Box. Upon request.)	No	
Overall Dimensions (Air box) : W300 x D300 x H300 mm.	W300 x D300 x H300 mm.	
Gas port : The gas port for inert gas such as nitrogen, argon, air, etc. 2 pcs.	Yes	
Pressure Gauge : 0 to 10 bar	Yes	
Auto Dry : (The auto dry is automatic controller set that can be controlled humidity inside the glove box., Power : 240V VAC 50/60 HZ)	No	
Receptacle : 220V	Yes	
Glove : Piercan., France., Type Natural Rubber (H), shape 18, size 8 thickness 4/10., length 800 mm., Glove port inner Diameter 220 mm.	Yes	

อุปกรณ์เสริม

PIERCAN เป็นคู่มือป้องกันสารเคมีโดยเฉพาะกลุ่ม สามารถใช้ได้ใ้มาทางด้านเภสัชกรรม ทางด้านนิวเคลียร์ ด้านวิศวกรรมอิเล็กทรอนิกส์ สินค้าเข้าจากประเทศฝรั่งเศส

